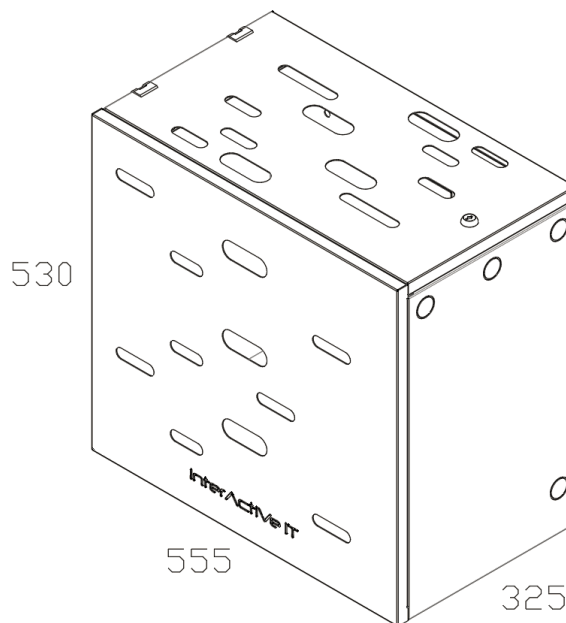


# InterActive IT<sub>CC.</sub>

## Pre-Assembled Vertical Wall mount Cabinet Series



### Dimensions



### WARRANTY SERVICE

#### LIMITED WARRANTY

FOR ONE YEAR from the date of purchase from the supplier, this product is warranted against any defects in material or workmanship.

In the event of a warranty claim, an invoice from the supplier is required, a defective part will be replaced free of charge by the manufacturer.

If a replacement part is unavailable, the product will be replaced with one of equal value.

Create IT. Live IT. Drive IT.

This warranty does not apply to a product that is damaged or altered through transportation, misuse, abuse, corrosion, accident, neglect, modification or mishandling.

Please note the cabinets have been strictly engineered as follows

3x US2000 Pylontech Batteries (Wall Mount)

or

2x US3000 Pylontech Batteries (Wall Mount)

### **Optional Application**

2x US2500 Pylontech Batteries (Wall Mount)

1x Freedom Won eTower Battery (Wall Mount)

Or similar

Any damage due to over stacking will not be covered by warranty.

Please send any warranty queries together with a copy of your invoice to

[sales@interactiveit.co.za](mailto:sales@interactiveit.co.za)

[www.interactiveit.co.za](http://www.interactiveit.co.za)