

## **Tools & Supplies Required**

Screw driver & 10mm Socket or Spanner  
Spirit Level  
Drill bit (10mm)  
8x Cage Nuts & Screws (included with Battery)  
8x M8 Rawl Bolts

## **Installation Instructions**

Attach the cage nuts to the Left and Right Large brackets.  
Line up the holes to the EziFit Bar and tighten loosely.

Place the brackets over the battery mounting holes and line up all holes.  
Tighten fully.

Place the bracket against the wall, Use the centre mark as a guide.  
Put spirit level to level the bracket.

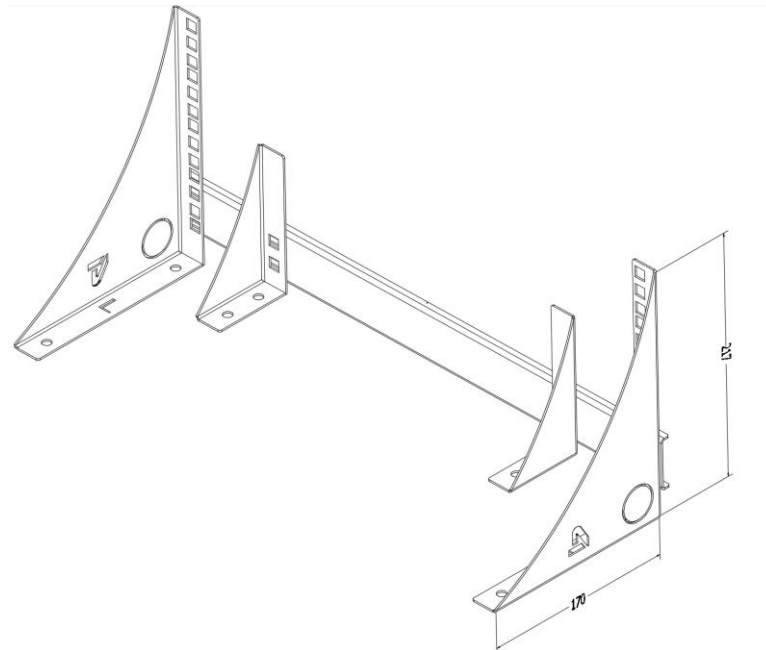
Mark your holes on both sides and drill.  
Install the Large bracket & Rawl bolts.

Install the battery and secure to Large brackets.  
Flip the remaining brackets still attached to the EziFit Bar  
Place at the underside of the battery so that it touches.

Center and Mark holes.  
Drill & Install the small brackets & Rawl bolts.

Please visit [www.interactiveit.co.za](http://www.interactiveit.co.za) for installation video or follow the instructions below.

## Dimensions



## WARRANTY SERVICE

### LIMITED WARRANTY

FOR ONE YEAR from the date of purchase from the supplier, this product is warranted against any defects in material or workmanship.

In the event of a warranty claim, an invoice from the supplier is required, a defective part will be replaced free of charge by the manufacturer.

If a replacement part is unavailable, the product will be replaced with one of equal value.

This warranty does not apply to a product that is damaged or altered through transportation, misuse, abuse, corrosion, accident, neglect, modification or mishandling.

Any damage due to over stacking will not be covered by warranty.

Please send any warranty queries together with a copy of your invoice to

[sales@interactiveit.co.za](mailto:sales@interactiveit.co.za)  
[www.interactiveit.co.za](http://www.interactiveit.co.za)