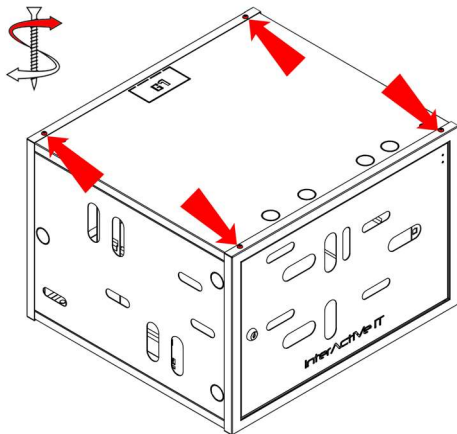


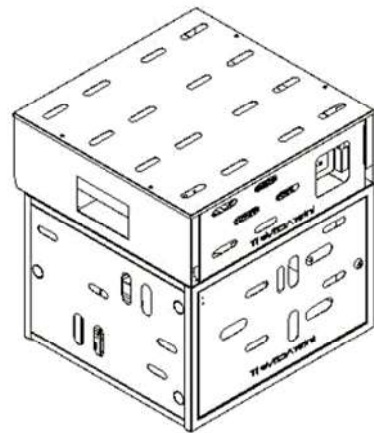


## Assembly Instructions Tools Needed – M5 Allen

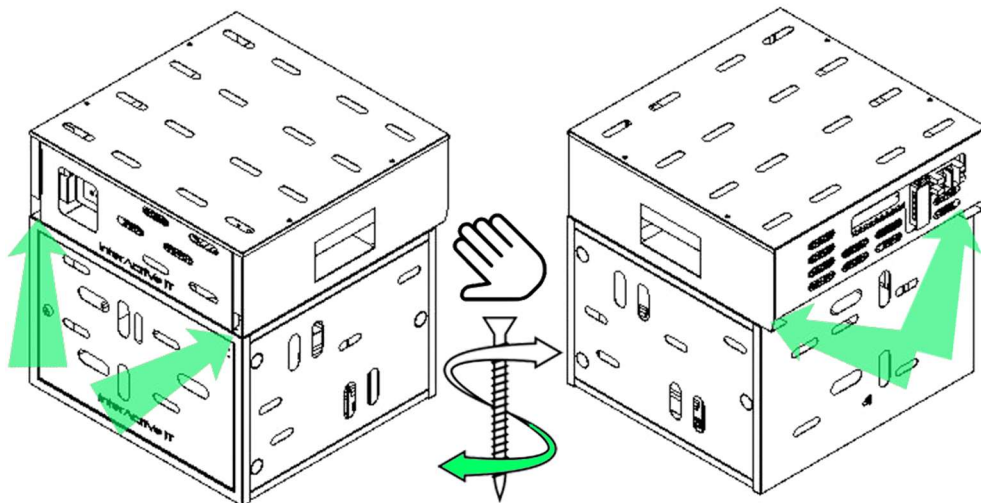
**Step 1** - Unscrew Top 4 screws



**Step 2** - Place the AX35 on top (align holes)



Align the holes with the screws from Step 1 (**Tighten by hand fully**)



**Step 3** - Fasten with Allen key.